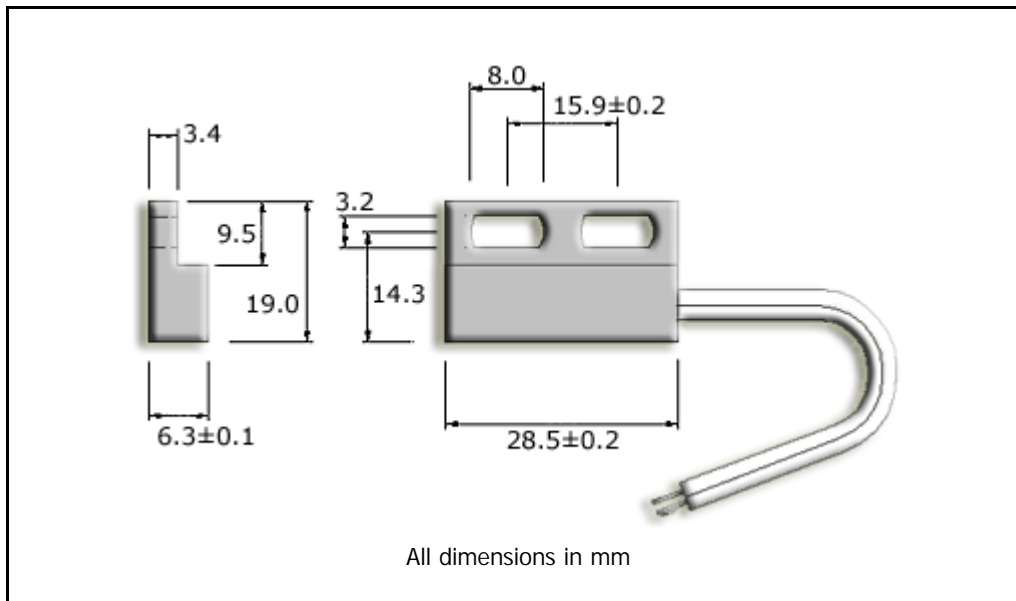


KMS-328 Flat pack Magnet Sensor

Standard Size, 8.0 mm mounting slot, 30 W, Line Voltage



- Does not require power for operation
- Omni-polar device; actuates with either pole of magnet
- Normally open (NO) contact, others available on request
- Three magnetic sensitivity bands
- Various types of leads and connectors available
- Contact rating of up to 60W
- Actuator magnet available in same housing

Applications

This magnet sensor is suitable for use in the following applications and in many others: satellite television dish positioning, door sensing in domestic goods, heavy vehicles, door and window security, fork lifts, adjustable chairs and beds...

Specification

Contact Form		A
Contact Rating (max)	W / VA	30
Switching Current (max)	A	1.5
Carry Current (max)	A	2.5
Switching Voltage (max)	V _{DC / AC}	230
Breakdown Voltage (min)	V _{DC}	350
Initial Contact Resistance (max)	mΩ	200
Operating Temperature	°C	-40 to +70

Ordering Code

KMS-328-(Operate AT Code)-(Cable length in mm)-(Lead Code)

OAT Code		Lead Code	
3	20 – 25	S	Stripped to 5mm
4	25 – 30	T	Stripped to 5mm and Tinned
5	30 - 35	M	Molex Connector

Operate AT bands indicated above are for unmodified reed switch

H.K. Industry Co., LTD • master@reed-sensor.co.kr • Tel 82-2-2601-9957 Fax 82-2-2601-9906

Due to continual improvement, specifications are subject to change without notice

www.reed-sensor.co.kr

26 May 2004